

ILLUSION/ SPHERES

Description:

Stem hung acrylic sphere pendants available in various sizes ranging from 14" to 22" in diameter:

Finishes:

WHT: Gloss white powder coat

BZ: Bronze powder coat

BN: Brushed nickel

BLK: Satin black powder coat

SIL: Powder coated silver

Supports:

(3) 12" stems and (1) 8" stem to be used individually or in conjunction to achieve desired height.

Canopy:

8" W by 1.5" deep

Delivered lumens at 4000K 80 CRI:

IL-14: 2247

IL-16: 2247

IL-18: 2497

IL-20: 2742

IL-22: 2742

Driver:

Universal 120-277 V input with 0-10 V dimming.

Driver location:

Inside surface mounted canopy.

LED:

80 or 90 CRI modules available in 3000K, 3500K or 4000K

Electronic warranty:

Electronic manufacturer's 5 year extended

Fabrication:

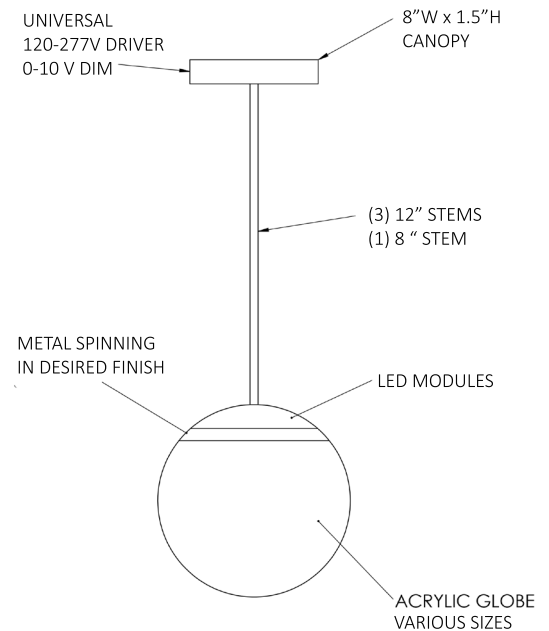
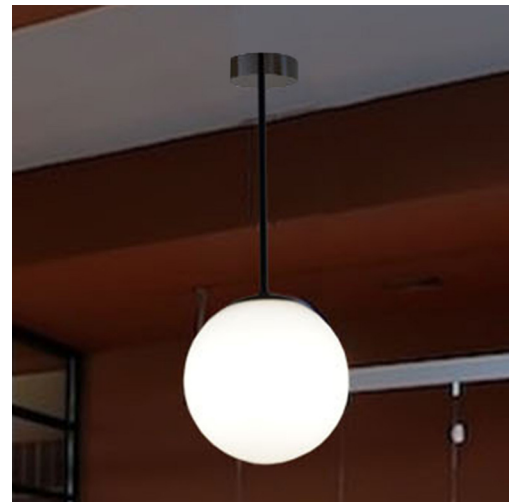
Illusions are fabricated in the U.S.

Listing:

UL listed indoor LED

IES files:

Available on request



ILLUSIONS

ORDER KEY

Model	Finish	LED	Delivered lm @ 4000k	Wattage	Color Temp
IL-14-010	GLWHT	LPPD4-750	2247	20	3000K
IL-16-010	SIL	LPPD4-750	2247	20	3500K
IL-18-010	BN	LPPD4-900	2497	22	4000K
IL-20-010	BZ	LPPD4-960	2742	24	
IL-22-010	BLK	LPPD4-960	2742	24	