

ZED-X-RECTANGLE

Description:

Surface mounted linear fixture in rectangular configuration featuring a 1.5" W by 1.5" H acrylic lens. ZED-X-RCT is fabricated in modular sections to be assembled with ease on location. To install the fixture, the installer places and secures the first linear LED module in its specified location with our supplied hardware, then uses a laser cut guide to identify the exact angle and spacing for the next module until all modules are secured to the ceiling and interconnected to their remote driver. The installer then snaps our extruded lenses on each module. The illuminated product shows no metallic components and minimal cool spots at joining angles. Optional metal corner brackets are available to cover corner joints. All ZED-X [rpd]ucts require a hard ceiling and the ability to locate drivers remotely.

Available sizes:

ZED-X-RCT-A: 47 1/4" x 25"

ZED-X-RCT-B: 47 1/4" x 61"

ZED-X-RCT-C: 25" x 61"

Illumination sizes and details at 4000K, 80 CRI:

Model	Dimension	Delivered lm	Wattage	lm/ watt	lm/foot
ZED-X-RCT-A	25" X 47.25"	8670	52	167	722
ZED-X-RCT-B	47.25" X 61"	12761	78	163	709
ZED-X-RCT-C	25" X 61"	9982	62	161	713

Corner bracket finish:

BS: Brushed stainless steel

WHT: Painted white finish

BLK: Painted satin black

SIL: Painted satin silver

Lenses:

Extruded white acrylic

LED modules:

80 or 90 CRI available in 3000, 3500 or 4000K each on its own aluminum substrate channel able to be mounted directly to the ceiling or wall.

Driver: 120-277 V in; put with 0-10 V dimming

Driver location:

In NEMA enclosure in remote location

Fabrication:

ZED-X-RCT is fabricated in the U.S.

Listing:

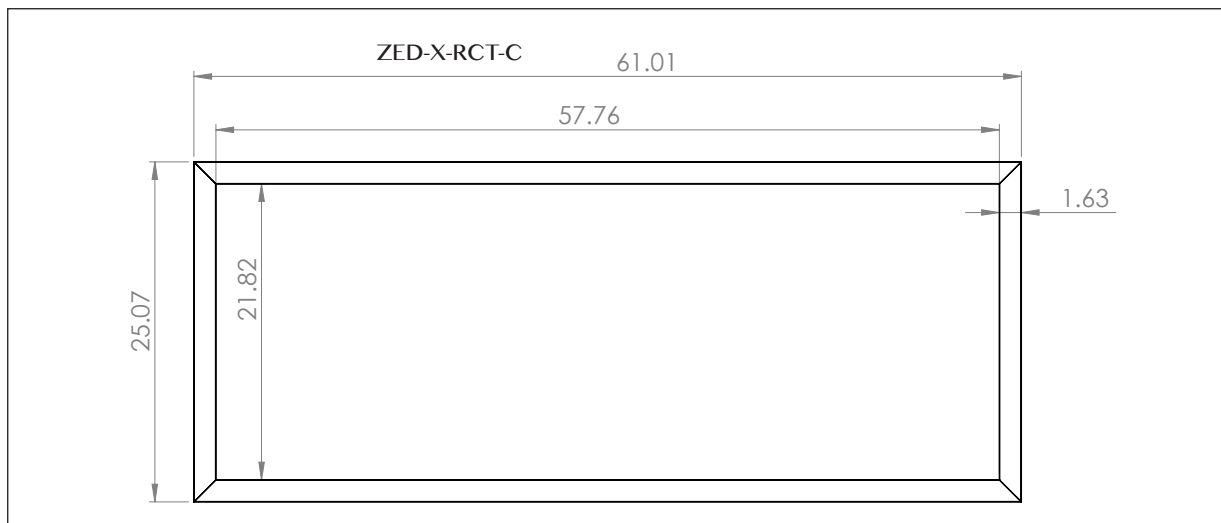
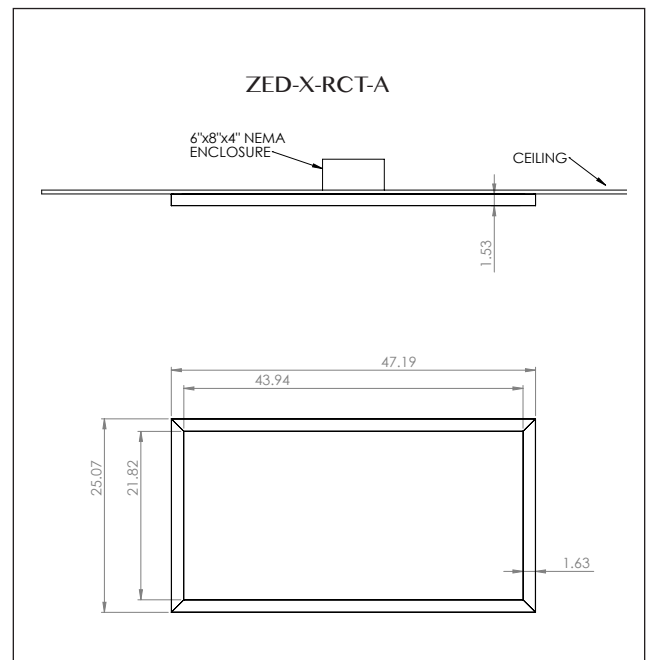
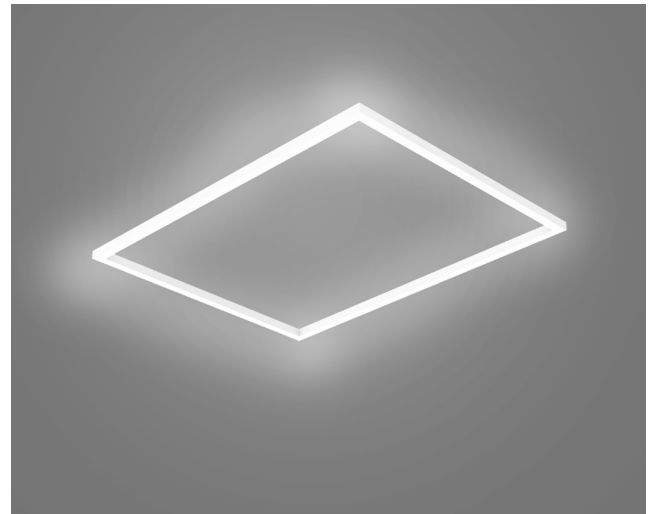
U.L listed LED indoor

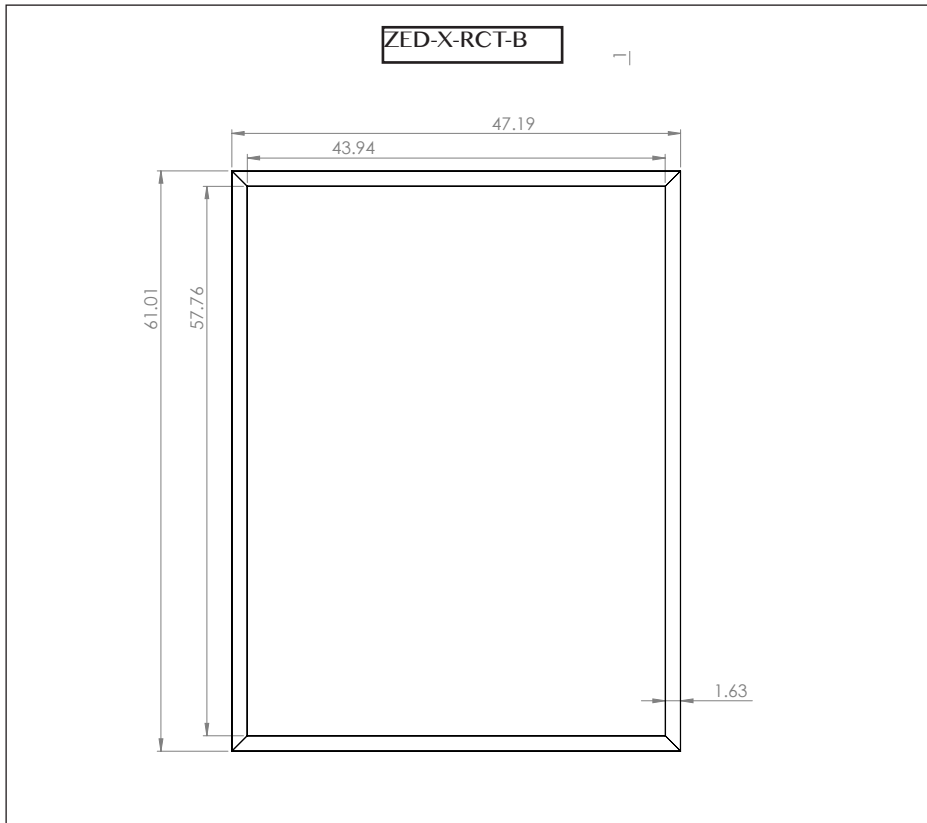
Electronic Warranty:

Electronic manufacturer's 5 year extended

IES files:

Available on request





ORDER KEY

Model	Size	LED System	Corner Bracket	Color Temp	Wattage
ZED-X-RCT	A	LPPD8-500/LPPD9-1000	CB-BS	3000	89
	B	LPPD9-1000/LPPD9-1300	CB-WHT	3500	142
	C	LPPD8-500/LPPD9-1300	CB-BLK	4000	107
			CB-SIL		