

PART NUMBER: \_\_\_\_\_

TYPE: \_\_\_\_\_ JOB NAME: \_\_\_\_\_



## ORDERING INFORMATION

### 1 MODEL\* & SIZE

- KAPAX-20** 20" Diameter
- KAPAX-24** 24" Diameter
- KAPAX-30** 30" Diameter
- KAPAX-36** 36" Diameter

### 2 COLOR TEMP.

- 3000** 3000K
- 3500** 3500K
- 4000** 4000K

### 3 CRI

- 80** 80 CRI (Standard)
- 90**

### 4 WATTAGE

- 24** 24 Watts
- 36** 36 Watts
- 56** 56 Watts

### 5 VOLTAGE

- UNV** 120-277V (0-10V Dimming)

### 6 MOUNTING OPTIONS

- CPC/DM/08** 8" Canopy with Driver, Cable mounted to center canopy
- CPC/RM/08** 8" Canopy with Remote Driver, Cable mounted to center canopy

### 7 COLOR CODE

- BKG** Gloss Black
- BKS** Satin Black
- BRZ** Bronze
- WHG** Gloss White
- WHS** Satin White
- BLU** Blue
- GRN** Green
- GDS** Satin Gold
- CRD** Cardinal Red
- SLV** Silver
- RAL** RAL\_\_\_\_\_
- CUS** CUSTOM

## SPECIFICATIONS

**SIZES:** 20"W x 6"H  
24"W x 6"H  
30"W x 6"H  
36"W x 6"H

**CONSTRUCTION:** Acrylic dome shade mounted to rigid cover and suspended to Canopy. Metal drum attaches to cables. LED driver is mounted in canopy or can be remote mounted in enclosure. Covers, stem and canopy finished in durable powder coated finish.

**DIFFUSERS:** Precision formed acrylic dome eliminates any LED pixelation and provides smooth symmetric distribution. Optional perimeter acrylic colors are available. Please consult factory for options.

**MOUNTING CONFIGURATIONS:** Available configurations are provided with (4) griplock cables and can be specified to mount to the Center Canopy. Standard cables are 96" in length. For longer lengths, please consult factory.

**DRIVERS:** LED drivers are 120-277V and 0-10V dimming. Drivers are direct mounted in the canopy or optional remote mounted (RM) driver in enclosure.

**LED:** LED's are mounted to metal surface to maximize heat dissipation. Available in 3000, 3500 or 4000K. Standard 80CRI, 90CRI optional.

**ILLUMINATION:** 20" KAPAX: 1,816 lumens at 24W  
24" KAPAX: 2,770 lumens at 36W  
30" KAPAX: 2,770 lumens at 36W  
36" KAPAX: 4,717 lumens at 56W  
For other outputs and configurations, please consult factory

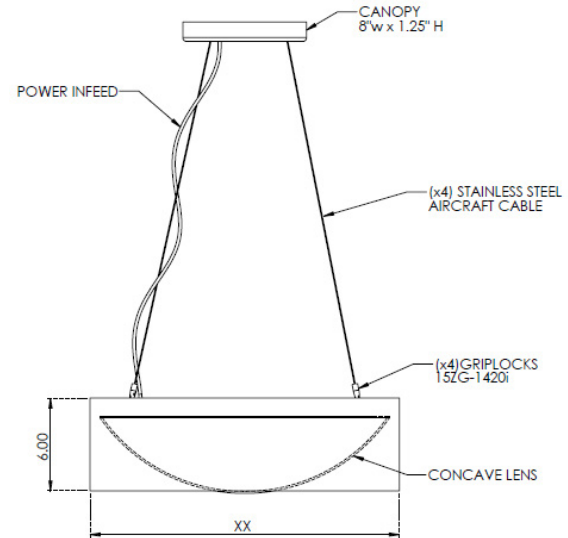
**FINISHES:** Powder coated finish applied to housing and canopies. Available in a variety of powder coated finishes.

**FABRICATION:** Fabricated and assembled in the US.

**LISTINGS:** UL listed for dry or damp indoor locations.

**WARRANTY:** 5 year limited warranty on LED and electronic parts. Consult terms and conditions for full details.

## RENDERINGS AND DIMENSIONS



| CONFIGURATION TABLE |              |
|---------------------|--------------|
| CONFIGURED SIZE     | XX DIMENSION |
| 20                  | Ø 20.00"     |
| 24                  | Ø 24.00"     |
| 30                  | Ø 30.00"     |
| 36                  | Ø 36.00"     |